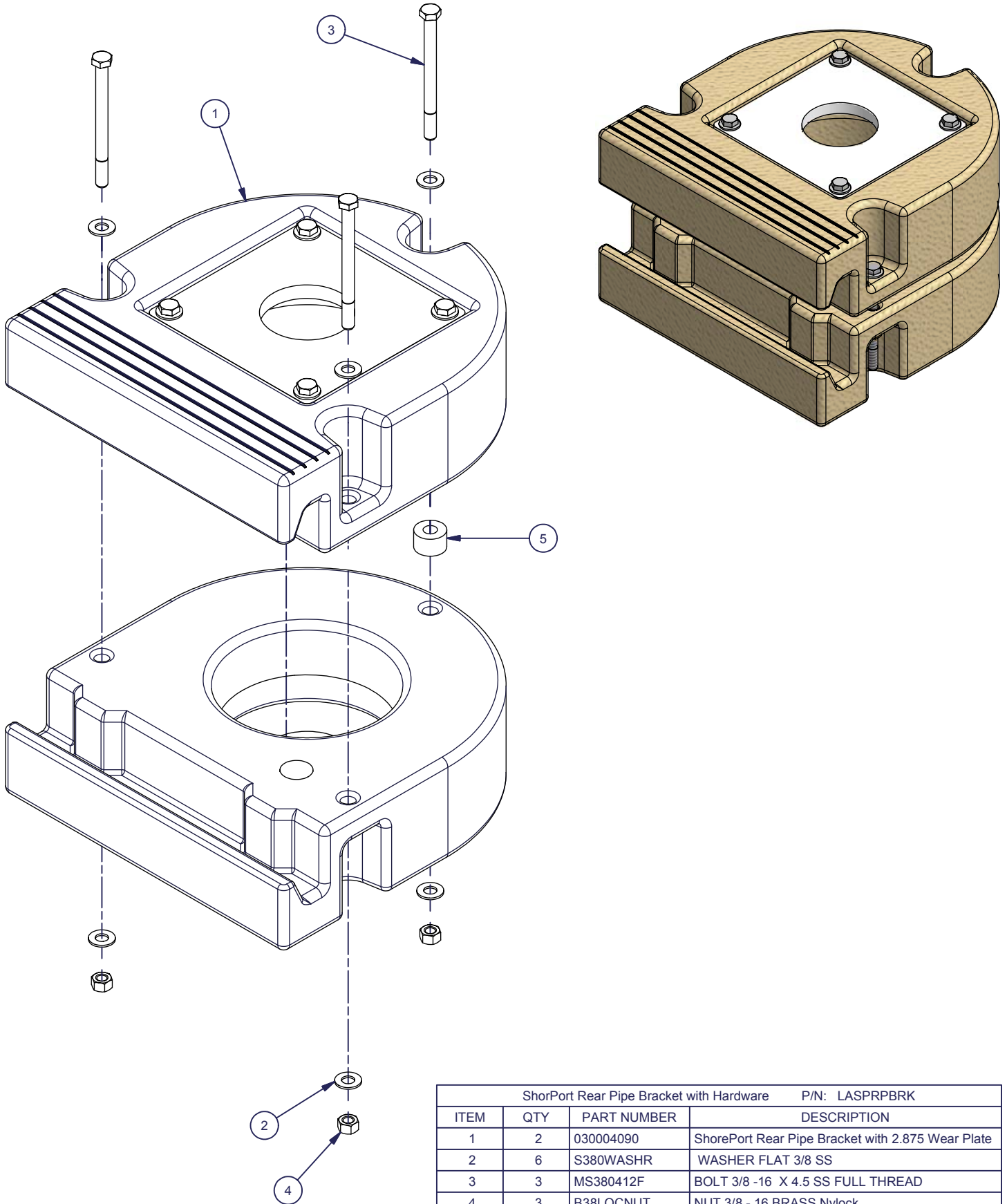


## Shoreport Rear Pipe Bracket with 2-7/8" Wear Plate



ShorPort Rear Pipe Bracket with Hardware			P/N: LASPRBRK
ITEM	QTY	PART NUMBER	DESCRIPTION
1	2	030004090	ShorePort Rear Pipe Bracket with 2.875 Wear Plate
2	6	S380WASHR	WASHER FLAT 3/8 SS
3	3	MS380412F	BOLT 3/8 -16 X 4.5 SS FULL THREAD
4	3	B38LOCNUT	NUT 3/8 - 16 BRASS Nylock
5	1	630004200	Rubber Spacer 1" OD x 7/16" ID x 5/8"